



New Dacia Duster



Introducing New Dacia Duster

Rugged, robust, no-nonsense: these are words to describe New Dacia Duster. It's a car to help you take on any challenge.

Practicality and functionality are at the heart of New Duster's clever design. It can carry up to 5 people and has up to 475 litres* of boot space to house their luggage. With the back seats folded down, New Duster's load capacity expands up to 1,636 litres*. Useful? Thought so.

The design turns heads but there's function behind the form, too. All versions come with ABS and ESC (Electronic Stability Control) as standard. New Duster's high ground clearance and wide approach and departure angles are designed to tackle difficult obstacles over tough terrain. Beneath the surface, a selectable 3-mode 4-wheel-drive system**, developed using Nissan's expertise, also provides grip where you need it most, off the beaten track or during hazardous road conditions.

Times have changed. Driving a 4x4 used to be the reserve of a privileged few. With New Dacia Duster, it's a pleasure more of us can enjoy. Priced from just €16,690 on-the-road, New Duster offers supersize space for supermini prices. Its economical and ecological dCi 110 diesel engine achieves over 4.4 l/100km on the combined cycle and emits exceptionally low levels of CO₂ for an SUV: just 115 g/km on 4x2 versions and 123 g/km on 4x4 versions.

Because everybody's different, New Dacia Duster concentrates on the essentials rather than the unnecessary. With three simple trim levels, one engine and a range of accessories, it's easy to choose the New Duster to suit you. From the affordable Alternative, to the luxurious Prestige. There's a New Dacia Duster for everyone.



Model shown is Duster Signature in Slate Grey

*4x2 versions only **4x4 versions only



Equipment

CORE FEATURES - standard on all versions of New Dacia Duster

Exterior Features

- Black front and rear bumpers (lower section)
- Double optic headlights
- Chrome front grille
- Longitudinal roof bars with 'Duster' inscription
- Black number plate surround with satin chrome 'Duster' inscription

Safety

- ABS and Emergency Brake Assist
- ESC (Electronic Stability Control) with ASR (Traction Control)
- Driver's airbag
- Passenger airbag with deactivation function
- Front side airbags
- Driver and passenger seatbelt not fastened - audible and visual warning
- Door open - visual and audible warning
- Front seatbelt pretensioners
- Height-adjustable front headrests
- Height-adjustable front seatbelts
- 3 x 3-point rear seatbelts
- ISOFIX points for child seats in both outer rear seats
- Child locks in rear doors
- Emergency spare wheel (4x4 versions only)
- Tyre inflation kit (4x2 versions only)
- High-level third rear brake light

Security

- Thatcham-approved engine immobiliser
- Remote central locking

Driving and Controls

- Power-assisted steering
- Gear shift indicator
- ECO mode
- Stop & Start
- Rev counter
- Centre differential lock with selectable 2WD, Auto and Lock modes (4x4 versions only)

Visibility and Exterior Lighting

- 3-speed front windscreen wipers
- Rear wash/wipe
- Heated rear window
- Daytime running lights

Comfort and Convenience

- Boot light
- 4-speed heating and ventilation with air recirculation

ALTERNATIVE - additional equipment over Core Features

Exterior Features

- 16" 'Matterhorn' steel wheels
- Black door handles
- Black door mirrors
- Black roof bars with 'Duster' inscription
- Black side sills
- Body coloured front and rear bumpers (upper section)

Interior Features

- Charcoal Grey central console surround
- Charcoal Grey door handles (front and rear)
- Chrome air vent surrounds
- Black door handles (front and rear)
- Cloth upholstery

Safety

- Three height-adjustable rear headrests

Visibility and Exterior Lighting

- Front fog lights
- Manually adjustable door mirrors

Comfort and Convenience

- Height-adjustable driver's seat
- 60/40 split folding rear seat (seatback only split)
- Rear passenger reading light
- Electric front windows
- Manual rear windows
- One-piece folding rear bench seat
- Height-adjustable steering wheel

Communication and Connectivity

- 4 x 20W DAB/FM/AM tuner with steering-column mounted fingertip controls
- Bluetooth®* connectivity
- AUX input
- USB connection for MP3 players



SIGNATURE - additional equipment over Alternative

Exterior Features

- 16" 'Tyrol' alloy wheels
- Satin chrome door mirrors
- Body-coloured door handles
- Satin chrome roof bars with 'Duster' inscription
- Satin chrome side sills
- Satin chrome skid plates - front and rear

Interior Features

- Charcoal Grey decorative inserts on door panels
- Chrome logo surround on steering wheel
- Charcoal Grey lower steering wheel insert
- Black doorsill protection strip
- Map pockets on both front seatbacks
- Leather steering wheel
- Cloth upholstery
- Chrome gear lever cap insert

Driving and Controls

- 7-function on-board computer: odometer, trip computer, fuel used/average fuel consumption, fuel range, average speed, next service indicated, outside temperature gauge
- Cruise control and speed limiter

Visibility and Exterior Lighting

- Heated and electrically-adjustable door mirrors

Comfort and Convenience

- Manual air conditioning
- Electric rear windows
- Glovebox light
- Passenger vanity mirror in sunvisor
- Front map light



PRESTIGE - additional equipment over Signature

Exterior Features

- 16" Tyrol Diamond - cut alloy wheels

Comfort and Convenience

- MediaNav
 - Satellite navigation
 - RDS - TMC (Traffic Message Channel) for Traffic Info
 - SIRI 'Eyes Free' and AHA application
- Reversing Camera
 - Rear parking sensors





P

DUSTER

Dacia

4x4

MediaNav multimedia system

Dacia's on-board 7" touch screen tablet MediaNav provides access to useful and practical features including: navigation, media from multiple sources and handsfree telephone using Bluetooth® technology. Enjoy stress free travel with Dacia MediaNav. Available as standard on Prestige or optional on Laureate.



Navigation

Provided by Navteq with vocal guidance.



Music

DAB/FM/AM tuner, connect devices via USB and AUX sockets.



Phone

Bluetooth® technology* allows you to make and receive calls on the move.



Connectivity

Smartphones with the AHA app can stream internet radio (uses phone data). Siri Eyes-Free for compatible iPhones (iOS 5 or later).

*For compatible devices, please refer to <https://www.dacia.ie/vehicles/multimedia.html>

Colours

SOLID

METALLIC



Glacier White (369)



Platinum (D69)



Pearl Black (676)



Slate Grey (KNA)



Cosmos Blue (RPR)



Altai Green (DPC)

Colour Code	Colour	Alternative	Signature	Prestige
SOLID PAINT				
369	Glacier White	●	●	●
METALLIC PAINT				
D69	Platinum	○	○	○
676	Pearl Black	○	○	○
KNA	Slate Grey	○	○	○
RPR	Cosmos Blue	○	○	○
DPC	Altai Green	○	○	○

Wheels



16" 'Matterhorn' steel wheels

16" 'Tyrol' alloy wheels

16" Diamond-cut 'Tyrol' alloy wheels

	Alternative	Signature	Prestige
16" 'Matterhorn' steel wheels	●	-	-
16" 'Tyrol' alloy wheels	-	●	-
16" Diamond-cut 'Tyrol' alloy wheels	-	○	●

● = Standard ○ = Optional - = Not available FOC = Free of Charge option

Interiors and Upholstery

ALTERNATIVE



'Bainite' cloth upholstery

SIGNATURE / PRESTIGE



'Graphite' cloth upholstery - Standard



'Aspira' leather upholstery - Optional*

*Genuine leather on central section; synthetic leather on side bolsters and rear.

Range Overview

Version Name	Engines	Euro Status	HP	CO ₂ g/km	CO ₂ Band	Combined Fuel Consumption l/100km	Benefit in Kind	Insurance Group
Alternative	dCi 110 4x2	6	109	115	A4	4.4	20%	11
	dCi 110 4x4	6	109	123	B1	4.7	21%	10
Signature	dCi 110 4x2	6	109	115	A4	4.4	20%	12
	dCi 110 4x4	6	109	123	B1	4.7	21%	11
Prestige	dCi 110 4x2	6	109	115	A4	4.4	20%	12
	dCi 110 4x4	6	109	123	B1	4.7	21%	11

Options

OPTIONS	Alternative	Signature	Prestige
Metallic paint	○	○	○
MediaNav 7" touchscreen multimedia system including : - Satellite navigation - USB and AUX connection points - Steering column-mounted fingertip controls - Bluetooth® connectivity for handsfree telephony and audio streaming - RDS – TMC (Traffic Message Channel) for Traffic Info - SIRI 'Eyes Free' and AHA application	-	○	●
Western European Mapping Upgrade	-	○	○
Aspira leather upholstery*	-	○	○
16" Tyrol diamond-cut alloy wheels	-	○	●
Rear parking sensors	○	○	●
Reverse parking camera**	-	○	●
4X2 Emergency Spare Wheel	○	○	○

● = Standard ○ = Optional - = Not available * Genuine leather on central section; synthetic leather on side bolsters and rear.

** Requires MediaNav multimedia system; includes rear parking sensors. ^ For compatible devices, please refer to <https://www.dacia.ie/vehicles/multimedia.html>

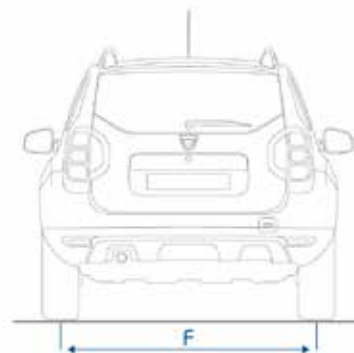
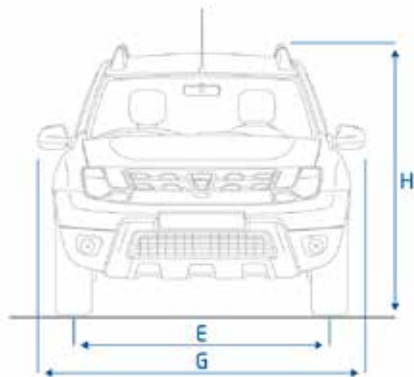
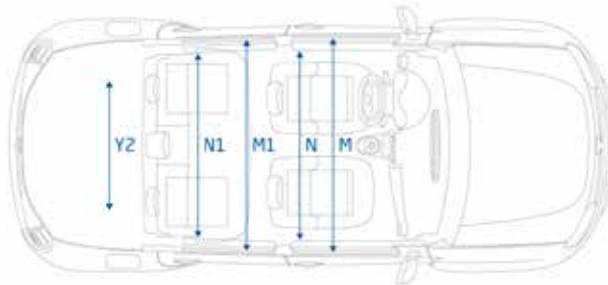
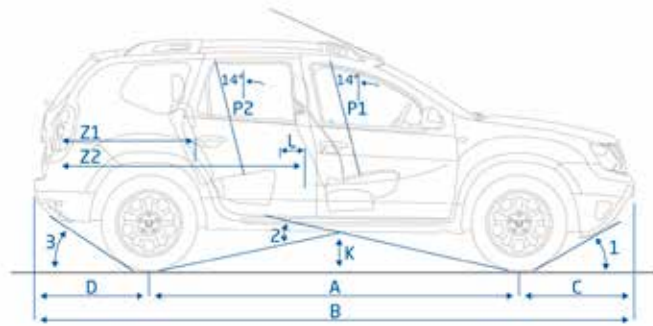


Duster

Technical Specifications

	dCi 110 4x2	dCi 110 4x4	
ENGINE	Engine type	K9K 658	K9K 658
	Cubic capacity (cm ³)	1,461	1,461
	Number of cylinders/valves	4 in line / 8	4 in line / 8
	Fuel	Diesel	Diesel
	Fuel injection type	Commonrail direct + multipoint injection	Commonrail direct + multipoint injection
	Aspiration	Turbocharged	Turbocharged
	Particulate filter (PF)	Standard	Standard
	Bore x Stroke	76 x 80.5	76 x 80.5
	Compression ratio	15.5	15.5
	Peak power kW (HP) @ RPM	80 (109) @ 4,000	80 (109) @ 4,000
Peak torque (Nm) @ RPM	260 @ 1,750	260 @ 1,750	
Stop and Start	Yes	Yes	
PERFORMANCE	Aerodynamics S (m ²) / Cx	2.42 / 0.42	2.42 / 0.42
	Maximum Speed mph (km/h)	105 (169)	104 (168)
	0- 62 mph - secs (0-100 km/h)	11.8	12.4
	400 m stopping distance (secs)	18.1	18.7
	1000 m stopping distance (secs)	34.2	34.5
FUEL CONSUMPTION * AND EMISSIONS	CO ₂ (g/km)	115	123
	Urban cycle - mpg (l/100 km)	62.8 (4.5)	58.9 (4.8)
	Extra-urban cycle - mpg (l/100km)	65.7 (4.3)	60.1 (4.7)
	Combined cycle - mpg (l/100km)	64.2 (4.4)	60.1 (4.7)
GEARBOX	Drive type	Front-wheel drive	All-wheel drive (selectable)
	Gearbox type/index	TL4 / 075	TL8 / 005
	Number of forward gears	6	6
	Vehicle speeds (km/h) per 1000 rpm: in 1st gear	7.59	5.79
	Vehicle speeds (km/h) per 1000 rpm: in 2nd gear	9.49	9.97
	Vehicle speeds (km/h) per 1000 rpm: in 3rd gear	21.36	15.8
	Vehicle speeds (km/h) per 1000 rpm: in 4th gear	28.97	23.16
	Vehicle speeds (km/h) per 1000 rpm: in 5th gear	37.01	31.83
Vehicle speeds (km/h) per 1000 rpm: in 6th gear	44.25	41.82	
STEERING	Steering type	Power-assisted (Hydraulic)	Power-assisted (Hydraulic)
	Turning circle between pavements / walls (m)	10.44 / 10.76	10.44 / 10.76
	Number of turns (lock-to-lock)	3.3	3.3
SUSPENSION	Front suspension type	McPherson-type with rectangular lower arm and anti-roll bar	
	Rear suspension type	Flexible axle with programmed deflection and coil springs	McPherson-type multi-link
WHEELS / TYRES	Wheel size	6.5 J16	6.5 J16
	Tyre specification	215/65 R 16 98H M+S	215/65 R 16 98H M+S
	Front: Ventilated discs - diameter (mm) / thickness (mm)	280 / 24	280 / 24
BRAKING	Rear: Drum - diameter (inches)	9	9
	Anti-lock Braking System (ABS)	Standard (Bosch 9.1)	Standard (Bosch 9.1)
	Electronic Brakeforce Distribution (EBD)	Standard	Standard
	Emergency Brake Assist (EBA)	Standard	Standard
	ESC (Electronic Stability Control)	Standard	Standard
FUEL TANK CAPACITY	Fuel tank capacity (litres)	50	50
	Kerb Weight (Excluding Driver) (kg)	1,245	1,325
WEIGHT	Unladen weight on front axle (kg)	777	791
	Unladen weight on rear axle (kg)	468	534
	Total authorised laden weight (kg)	1,795	1,875
	Gross train weight (GTW)	2,995	3,375
	Max payload (kg)	550	550
TOWING CAPACITY	Max (driver only) towing weight: braked (kg)	1,500	1,500
	Max (driver only) towing weight: unbraked (kg)	640	695
GROUND CLEARANCE	Ground clearance (unladen) (mm)	205	210
	Wading depth (mm)	350	350

Dimensions



EXTERIOR DIMENSIONS (mm)	4x2	4x4
A - Wheelbase	2,673	
B - Overall bodywork length	4,315	
C - Front overhang	822	
D - Rear overhang	820	
E - Front track	1,560	
F - Rear track	1,567	
G - Overall width with / without door mirrors	2,000 / 1,822	
H - Unladen height / with roof bars	1,625 / 1,695	
K - Ground clearance (unladen)	205	210
L - Rear knee room	183	
M - Front elbow room	1,411	
M1 - Rear elbow room	1,438	
N - Front shoulder width	1,387	
N1 - Rear shoulder width	1,400	
P1 - Distance between hip joint and ceiling in front seats	907	
P2 - Distance between hip joint and ceiling in rear seats	895	
Y2 - Interior width between wheel arches	1,002	
Z1 - Loading length, rear seat in place	992	
Z2 - Loading length with rear seats folded	1,760	
BOOT VOLUME	4x2	4x4
Under luggage space with repair kit / spare wheel	475 / 475	443 / 408
Maximum boot space with rear seats folded down (litres)	1,636 / 1,636	1,604 / 1,570
CLEARANCE ANGLES	4x2 and 4x4	
1 Approach angle	30°	
2 Ventral angle	23°	
3 Departure angle	36°	

Dacia Duster



Network

To find your nearest Dacia dealer, please consult the dealer locator on our website at www.dacia.ie. Alternatively, you can call our Dacia Customer Services helpline on 1890 771 771.

Servicing

The service interval on all versions of Dacia Duster is 1 year or 20,000 km, whichever limit is reached first. Your local Dacia dealer is fully equipped to service your Dacia Duster.

Warranty

Your new Dacia is covered by a standard 3 year / 100,000 km* Warranty package. Under the terms of this Warranty, your Dacia dealer is able to repair or replace, without charge, parts that are found to have a material or assembly defect that is recognised by Dacia. Your new Dacia also comes with a 2 year paintwork warranty, as well as a 6 year anti-corrosion warranty.

Extended Warranty

At Dacia, we don't force you to pay a premium for a longer warranty if you don't want one, but we'll offer you the opportunity to purchase one if you do. By extending your warranty, you'll benefit from ongoing protection from mechanical and electrical failure after the standard manufacturer's warranty has expired. You can choose to extend your Warranty to the following levels:

- 5 years / 200,000 km*

Roadside Assistance

We don't expect it to happen, but we'll ensure help is on hand if it does. In the event of a breakdown, help is just a phone call away with Dacia Assistance. This service is provided 24 hours a day, 365 days a year. We'll provide prompt roadside assistance in Ireland for the first 3 years / 100,000km*, in line with the terms of the standard manufacturer's Warranty.

* From first date of registration. Warranty expires on the first of the two limits reached.

The utmost has been done to ensure that the content of this publication is accurate and up-to-date when going to press. This document has been created on the basis of pilot lots and prototypes. As part of its ongoing product improvement policy, DACIA reserves the right to modify the specifications, vehicles and accessories described and shown at any time. Such modifications are communicated to DACIA dealers as quickly as possible. Depending on the country of sale, certain versions may differ and certain equipment may be unavailable (as standard, optional or accessory). Please contact your nearest DACIA dealer for the latest information. For printing reasons, the colours which appear in this document may differ slightly from the actual paint and the upholstery colours. All rights reserved. It is forbidden to reproduce in any format and by any means all or part of this publication without prior written authorisation from DACIA. All visuals are for illustrative purposes only. *3 Year / 100,000km warranty as standard.

CHARTERHOUSE - PART NUMBER 7701 380 778 - PUBLICATION DATE 07/16

UP TO
5 YEARS
WARRANTY*