

ASX


**MITSUBISHI
MOTORS**
Drive your Ambition





Sit and Relax. You're in Control.

Note: Some of the equipment may vary in appearance or availability according to market. Please consult your local Mitsubishi dealer/distributor for more detailed information. Images are for illustration purposes only. Please stow or secure small objects and/or other belongings. Driver is always responsible for safe and attentive driving.







Note: Some of the equipment may vary in appearance or availability according to market. Please consult your local Mitsubishi dealer/distributor for more detailed information. Images are for illustration purposes only. Please stow or secure small objects and/or other belongings. Driver is always responsible for safe and attentive driving.



**Style, Entertainment,
and Comfort for All**



UTILITY

Imagine the possibilities.



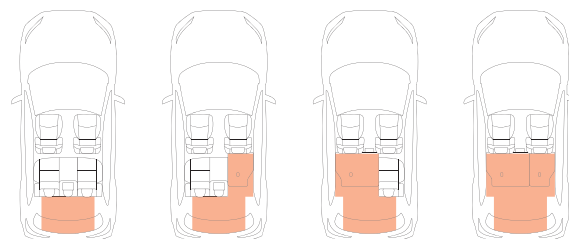
CARGO CAPACITY

The versatile cargo area is spacious and easy to use for any driver. With up to 406* litres of cargo space available even with 5 occupants inside, you can bring everything you need. The wide tailgate opening and low cargo floor make the loading and unloading of cargo fuss-free for everybody.

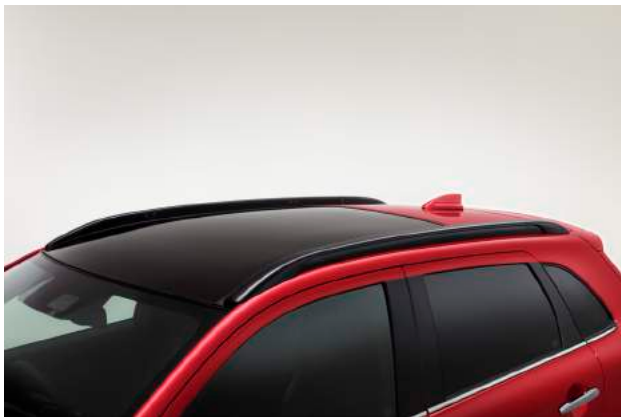
* With rear seatback in upright position. Includes 13-litre underfloor compartment space (with tyre repair kit). 1,350 mm maximum width of cargo area. 1,510 mm maximum length with rear seats folded down. Measured by Mitsubishi Motors Corporation.

FULL-FLAT REAR SEAT / 60:40 SPLIT FOLDABLE SEATBACK

Anybody can easily use the rear seat release buttons. Fold down the rear seatbacks to transport bulky or oddly-shaped items.



Note: Some of the equipment may vary in appearance or availability according to market. Please consult your local Mitsubishi dealer/distributor for more detailed information. Images are for illustration purposes only. Please stow or secure small objects and/or other belongings. Driver is always responsible for safe and attentive driving.



ROOF RAILS (BLACK)

Rugged yet sporty, the roof rails accentuate the flowing roof lines of the ASX.



FRONT CENTRE ARMREST AND COMPARTMENT

Keep small items stored safely away in the centre compartment tray.



SUV CAPABILITY

All Work and All Play



2.0-LITRE MIVEC* ENGINE

The 2.0-litre engine gives you all the power you need for all your trips. MIVEC technology allows the engine to combine maximum power output, fuel efficiency, and environmental performance.

* Mitsubishi Innovative Valve timing Electronic Control system

Maximum Torque

195 N·m / 4,200rpm

Maximum Output

110 kW / 6,000rpm

SUSPENSIONS

The MacPherson strut front and multi-link rear suspensions make driving on rough roads smooth and comfortable.

The shock absorbers and stabilisers are precision-tuned for responsive handling and sporty, comfortable performance.





INVECS-III CVT

The 2.0-litre engine is teamed with the INVECS-III (Intelligent & Innovative Vehicle Electronic Control System) CVT (Continuously Variable Transmission), ideally tuned to deliver effortless acceleration from any speed.

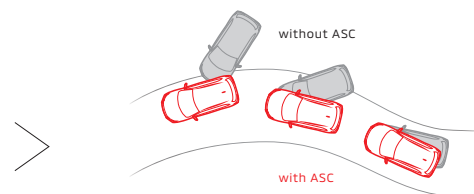


PADDLE SHIFT

Sporty paddle shifters let you smoothly and electronically shift gears without removing your hand from the steering wheel.

ACTIVE STABILITY CONTROL (ASC) AND TRACTION CONTROL (TCL)

The Active Stability Control system uses onboard sensors to analyse the vehicle's motion and identify lateral wheel slippage. By governing engine output and applying braking power to the appropriate wheels, ASC helps to maintain stability and control.



AUTO STOP & GO SYSTEM (AS&G)

Auto Stop & Go (AS&G) shuts off the engine at traffic stops, cutting fuel waste and CO2 emissions without disrupting the electronic systems. The engine restarts immediately, so you'll never be left waiting.



SAFETY

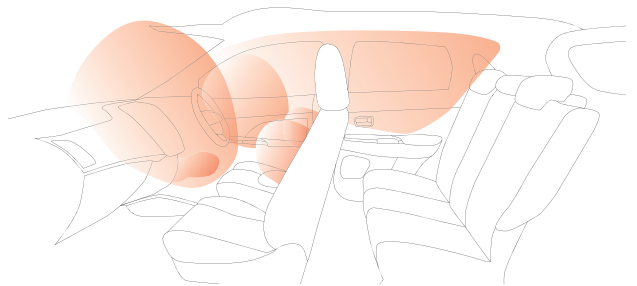
Tough, Balanced, and Confident

7-AIRBAG SYSTEM

The available 7-airbag system helps protect every passenger in every seat. For protection in frontal collisions, front passengers get front airbags and a knee airbag on the driver's side. In a side collision, front passengers are protected by side airbags while both rows are protected by curtain airbags.

Note: 7-Airbag System is optional. Equipment may vary from the image shown. Airbags are part of a Supplemental Restraint System (SRS). To decrease the risk of injury from a deploying airbag, always wear your seat belt, sit upright in the middle of the seat and do not lean against the door. Always place children 12 and under in the rear seat and use appropriate child restraints. Never place a rear-facing infant restraint in the front seat. Please see the owner's manual and the instructions provided with your child restraint for additional information.

SRS
AIRBAG



REAR VIEW MONITOR

A live colour image with parking guidelines helps prevent backing into debris or other hazards out of sight.



LED HEADLAMPS

When activated, the headlamp clusters send out broad beams of light, illuminating a wide section of the road ahead.



REAR COMBINATION LAMPS

The T-shaped rear combination lamps have a wide and stable look and feel. The brake lights illuminate independently for better visibility.

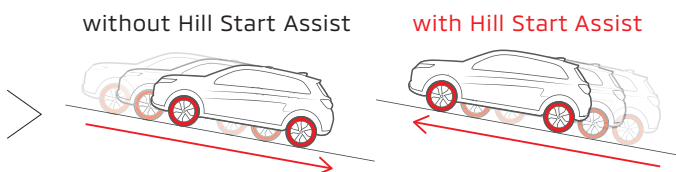
DAYTIME RUNNING LIGHTS / FOG LAMPS

The L-shaped daytime running lights give the front face a sharp and sporty feel. The fog lamps are coupled with turn lights for a look that stands out.

HILL START ASSIST (HSA)

HSA makes it easy to start off on a steep uphill slope by preventing the vehicle from rolling backward. When a gradient is detected, it automatically maintains the braking force until the accelerator is applied.

Note: Hill Start Assist (HSA) is not a substitute for safe driving. Never rely solely on this function while driving on steep roads. Your vehicle may move backwards if the brake pedal is heavily loaded, or if road is very steep or slippery. This function is not designed to keep the vehicle stopped in place on uphill slopes for more than 2 seconds. Do not rely on this function to maintain a stopped position as an alternative to depressing the brake pedal. Please see the owner's manual for additional information.



EMERGENCY STOP SIGNAL SYSTEM

When sudden braking is detected, this system helps reduce the chance of a rear collision by automatically flashing your hazards to warn the driver behind.

Note: The capabilities of the Emergency Stop Signal System are supplemental only and do not prevent collisions in every situation. Please drive safely and do not rely solely on this system while driving. The system activates at a vehicle speed of approx. 55 km/h or higher, and when the system judges emergency braking from sudden deceleration and operating condition of the anti-lock brake (ABS) system. If you have any questions, please consult your local Mitsubishi Motors dealer/distributor for details.

RISE BODY

RISE

Collision safety performance is significantly enhanced by Mitsubishi Motors' RISE (Reinforced Impact Safety Evolution) body, which efficiently absorbs energy and maintains high cabin integrity in the event of a collision.



CONNECTIVITY

Link Your Worlds

8-INCH DISPLAY MONITOR

Navigation and rear view camera are easier to use with the larger 8-inch touchscreen. The sleek new colour scheme gives it a refined feel.



BLUETOOTH® HANDS-FREE KIT / LINK SYSTEM

Keep in touch while keeping safely in control with the hands-free kit. Link your Bluetooth®-compatible mobile phone, and the voice-activated dialer lets you make calls while holding the wheel.

Note: The Bluetooth® word mark and logos are registered trademarks owned by the Bluetooth SIG, Inc. and any use of such marks by MITSUBISHI MOTORS CORPORATION is under license.

Apple CarPlay™

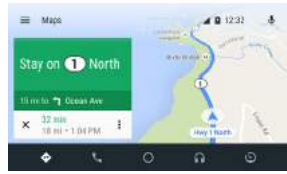


You can use a number of audio, messaging, voice calling, and 3rd party navigation apps from your iPhone with CarPlay.

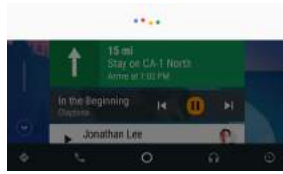
- 1 Maps
- 2 Siri
- 3 Phone
- 4 Some supported 3rd party apps

Note: Apple CarPlay is a trademark of Apple Inc., registered in the U.S. and other countries.

For more information: www.apple.com/ios/carplay/



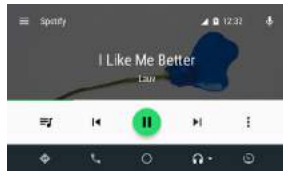
1



2



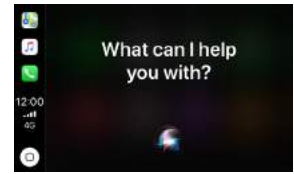
3



4



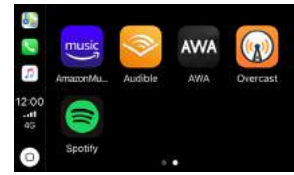
1



2



3



4



Android Auto™



Use Google Maps via your 8-inch centre display. Voice activation capabilities allow hands-free use. Conveniently use your favourite apps in your car.

- 1 Maps
- 2 Google Assistant
- 3 Phone
- 4 Apps

Note: Google, Android, Android Auto and other related marks are trademarks of Google LLC.

For more information: www.android.com/auto/



EQUIPMENT



- 1 A/C control panel with silver dials
- 2 USB port & seat heater
- 3 Gearshift indicator panel
- 4 Smooth synthetic leather door trim insert

- 5 Cup holders
- 6 Side garnish (chrome)
- 7 Shark-fin antenna

- 8 225/55R18 tyres with 18-inch light alloy wheels

INTERIOR PANEL



BLACK PANEL

EXTERIOR COLOURS



Red Diamond [P62]



Oak Brown Metallic [C22]



Sporty Blue Mica [D06]



Titanium Grey Metallic [U17]



Sterling Silver Metallic [U25]



Silky White Pearl [W13]



Polar White Solid [W37]



Amethyst Black Mica [X42]

SEAT MATERIALS



Black leather

Note: Leather seats include synthetic leather on the sides, rear, partial seating surface and head restraint (also on rear centre armrest, door armrests and door trim etc.)

COLOUR COMBINATIONS

MODEL		INTENSE
Headlining	Black	■
Seat materials	Black leather	■
Exterior colours	Red Diamond [P62]	■
	Oak Brown Metallic [C22]	■
	Sporty Blue Mica [D06]	■
	Titanium Grey Metallic [U17]	■
	Sterling Silver Metallic [U25]	■
	Silky White Pearl [W13]	■
	Polar White Solid [W37]	■
	Amethyst Black Mica [X42]	■

■ : Standard

Note: Colours shown may differ slightly from actual colours due to printing process. Please consult your local Mitsubishi Motors dealer/distributor for actual colours.

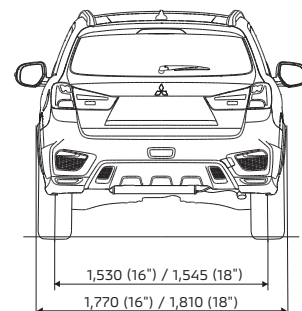
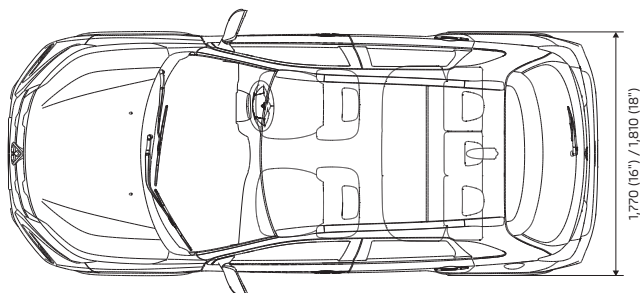
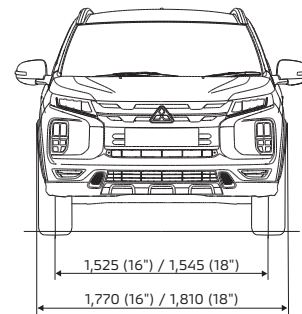
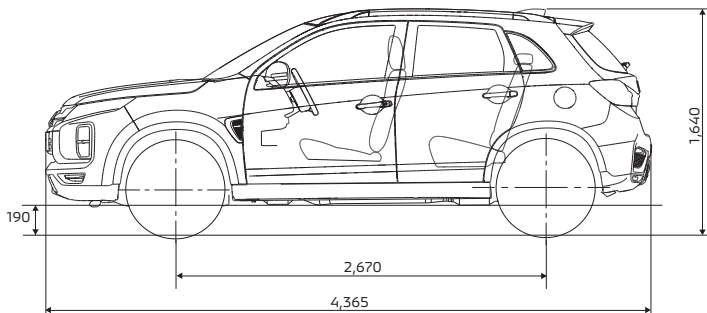
STANDARD EQUIPMENT

ASX 2.0L Petrol 150PS AS&G CVT 2WD 5-Seater INTENSE		Fuel Economy Combined (WLTP) 7.8L/100KM	Tax Band (NEDC2) D (€570)	INTENSE
Comfort & Convenience	Air Conditioning, Automatic			■
	Cruise Control			■
	Electric Windows, Front & Rear with Auto up/down anti-trapping function [Driver side]			■
	Keyless Operation (KOS)			■
	Bluetooth Handsfree System with Voice Control			■
	Bluetooth Handsfree Switch on Steering Wheel			■
	6 Speakers			■
	Smartphone Link Display Audio(SDA) supporting Apple CarPlay & Android Auto with 8 inch Touchscreen Display and MW/FM/DAB Radio			■
	USB Port / iPod Connectivity x 2			■
	Rearview Camera for Reversing			■
	Parking sensors, Rear			■
	Auto Dimming Rear View Mirror			■
	Full Colour Multi-information Display			■
	Accessory Socket (2)			■
Height Adjustable Drivers Seat			■	
Tilt & Telescopic Adjustable Steering Wheel			■	
Safety & Security	Active Stability Control (ASC) with Traction Control (TCL)			■
	Hill Start Assist (HSA)			■
	Anti-lock Brake System (ABS) with Electronic Brakeforce Distribution (EBD)			■
	Brake Assist (BA)			■
	Emergency Stop Signal System (ESS)			■
	Drivers & Front Passengers SRS Front Airbags			■
	SRS Side Airbags, Driver & Front Passenger			■
	SRS Curtain Airbags, 1st and 2nd row			■
	Driver SRS Knee Airbag			■
	Passenger Airbag Cut-off Switch			■
	Reinforced Impact Safety Evolution (RISE) body SRS airbag			■
	Tyre Pressure Monitoring System			■
	3-Point ELR Seat Belt x 5 with Pretensioner and Force-limiter, Front			■
	ISOfix Child Seat Anchor x 2 and Tether Anchor x 2			■
Child Locks, Rear Doors			■	
Electronic Immobiliser			■	
Tonneau Cover			■	
Interior Styling	Multi-function Leather Wrapped Steering Wheel with Piano Black Garnish & Leather Gearshift Knob			■
	Gloss Black Center Panel Decoration			■
	Chrome Inner Door Handles			■
	Silver Power Window Switch Panels on Door Trim, Front & Rear			■
	Leather Seats			■
	Drivers 4-way Power Seat			■
	Front Heated Seats			■
	Front & Rear Door Trims w/ Synthetic Leather Insert			■
	Front Centre Armrest with PVC Leather finish			■
	Centre Console Accent Panel with Silver Geometric Grain Pattern decoration			■
	Soft Touch Knee Pad with Silver Stitching			■
	Air Ventilation Controls and Air Outlet Panels with Chrome surround			■
	New instrument center panel for SDA & Side air outlet (Piano black)			■
	Rear Seats 60:40 Split Foldable Seat Back			■
Rear Centre Armrest with Cupholders x 2			■	
Storage & Utility	Front Room Lamp with Map Lamp, Rear Room Lamp & Cargo room Lamp			■
	Cupholders, Front (2) & Rear (2)			■
	Bottle Holder, Front door trim x 2			■
	Cargo Room Floor Box & Floor Hooks x 4			■
	Illuminated Vanity Mirrors with Lid & Ticket holder, Driver & Frt Passenger			■
	Heated Door Mirrors			■
	Electrically Controlled & Foldable Door Mirrors			■
	Side Indicator Integrated into Door Mirror Housing (Garnish on fender)			■
	Colour-keyed Door Mirrors, Exterior Door Handles & Rear Spoiler			■
	LED Rear Combination Lamps			■
Exterior	LED headlamp w/ built-in type LED DRL and position lamp			■
	Front turn lamp on bumper			■
	Privacy Glass, Rear			■
	Rain Sensor Wipers			■
	Automatic Light Control			■
	Shark Fin Antenna			■
	Front & Rear Bumper Skid Plates, Black			■
	LED Front Fog Lamps			■
	Chrome Beltline Mouldings			■
	Wheel Arch Garnish			■
	"Coming Home" & "Welcome Home" Lights			■
	Roof Rails (Black)			■
	Tyre Repair Kit			■
	18" Alloy Wheels (Black Wheel Ornament)			■
	Front Radiator Grille (Satin Chrome & Piano Black)			■
	Side Garnish on Fr Fender (Chrome)			■

TECHNICAL SPECIFICATIONS

ASX 2.0L Petrol 150PS AS&G CVT 2WD 5-Seater INTENSE		INTENSE
Dimensions & Weights	Overall length mm	4,365
	Overall width mm	1,810
	Overall height mm	1,640
	Wheelbase mm	2,670
	Seating capacity (persons)	5
	Kerb weight kg	1,405
	Gross vehicle weight kg	1,970
Engine	Type	2.0 MIVEC with AS&G
	Total Displacement cc	1,998
	Max output (EEC net) KW(PS)/rpm	110(150)/6,000
	Max torque (EEC net) Nm/rpm	195/4,200
Fuel System	Type	Unleaded/RON95
	Fuel supply equipment	Electronically Controlled Injection
	Fuel tank capacity lit	63
Transmission	Gear Ratio	
	D Range	2.631-0.378
	Reverse	1.960
	Final	6.026
	Acceleration (0-100 km/h)	11.7
Max speed km/h	190	
Fuel consumption (l/100km) (WLTP)		
	Low	9.8
	Mid	7.2
	High	6.7
	Extra-High	8.3
	Combined	7.8
	CO2 g/km, Combined (WLTP)	176
CO2 g/km, Combined (NEDC2)	156	
Towing Capacity	With brake kg	1,300
	Without brake kg	740
Suspensions	Front	MacPherson strut
	Rear	Multi link
Brakes	Front	Ventilated disc brakes
	Rear	Solid disc brakes
Steering	Type	Rack and pinion with electronic power assisted steering

DIMENSIONAL VIEWS



All measurements in millimetres

