


Extend the Renault Kadjar experience  
at [www.renault.ie](http://www.renault.ie)



# New Renault KADJAR



Although every effort has been made to ensure that the information contained within this brochure is as accurate and up to date as possible, Renault U.K. reserves the right to modify its models without notice, including their characteristics, specifications, equipment and accessories. Brochures inevitably become out of date or inaccurate in some respects, in that such characteristics, specifications, equipment, or accessories may be changed after the publication date given below and can differ from the descriptions given or the photos displayed. It is therefore necessary to check with your Renault Dealer before purchasing any product that the characteristics, specifications, equipment or accessories of the vehicle on order are as advertised.

Renault recommends 

 Prodigious

Photo credits: U. Heckmann, P. Giardino, Corbis, Getty Images, E. Haveric, Y. Brossard, A. Bernier, © Renault Marketing 3D-Commerce – Printed in EC – 7711 752 401 – 1 January 2019





## An athletic appearance

An SUV through and through, the new Renault KADJAR proudly sports its adventurous look and powerful design. Evidencing its authentic personality, its chrome-finish grille surrounded by LED lights\* really make New Kadjar stand out. At the rear, fog lights keep watch: dust, mist, drizzle, nothing will stop you. Featuring new front and rear skid plates, the 19" alloy wheels^ are ready to take up any kind of terrain. And the shark fin antenna^ on the roof combines perfect aerodynamics and unique style.

\*Available from S Edition

^Available from GT Line

^Shark fin antenna from Iconic







## On-board comfort

Explore every detail of your New Kadjar's interior comfort. With its contemporary environment, perfect ergonomic design, new upholstery and chrome-finish trim, you'll enjoy every moment you spend inside it. Comfortably installed at the controls of your New Kadjar, you'll be ready to appreciate the most demanding of roads. The restyled dashboard, the back-lit central console and numerous redesigned details will make you want to embrace adventure in a whole new way.







## Ready for all discoveries

New Renault KADJAR excels on the most improbable terrain. A truly seasoned adventurer, it adapts to different driving conditions, with the option to easily switch from two-wheel to four-wheel drive with an intuitive three-position dial: 2WD, Lock or Auto\*. With its raised ground clearance, chrome-finish side protection fittings and front and rear skid plates, it will take on challenging terrain just as easily as it does your everyday journeys. New Kadjar will offer you comfort regardless of the road ahead.

### Intuitive 2W/4W dial

Simply turn it to adapt the traction system to your driving conditions. Three options available:

- **2WD:** two-front-wheel drive
- **Lock:** four-wheel-drive continuously
- **Auto:** automatic selection of two-wheel or four-wheel drive, depending on driving conditions

\* Available soon on GT Line dCi 150 engines only.







## Adaptive instinct

You'll also find plenty of spaces inside your new Renault KADJAR. By simply folding down the rear bench seat, in the flat position\* you'll enjoy substantial loading volume that is easy-to-use when the floor of the boot is in the raised position. Mountain bikes, rucksacks, hiking equipment and accessories letting you take on life. And your passengers will be spoiled: the large cup holders in the front, together with the air-conditioning vents and USB ports in the rear\* will change the whole travel experience for them. And as the driver, you'll be nicely cradled in your heated<sup>^</sup> adjustable seat with sliding armrests, ready to enjoy the most demanding of roads. Yes to adventure – but with everything you need to enjoy it to the full!

\*Multiposition boot floor available from Iconic

<sup>^</sup>Available from GT Line





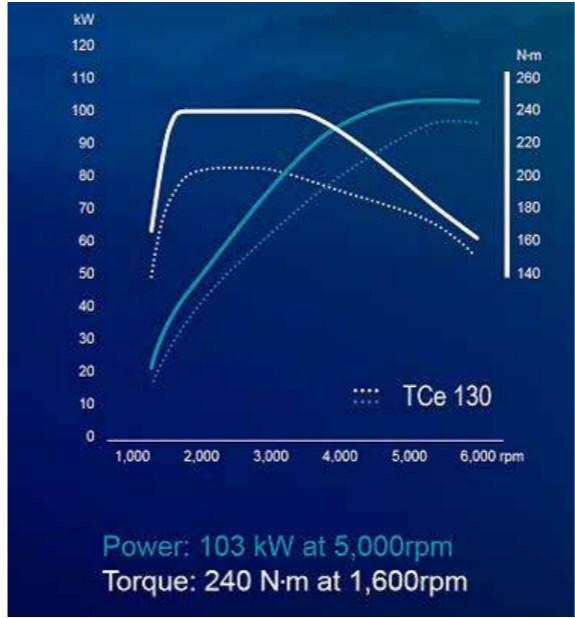


# Efficiency without compromise

The engines powering the Renault KADJAR are advanced, reliable and improved fuel consumption. Fitted with the Stop & Start system with regenerative braking, they include a host of technologies (downsizing, friction reduction, latest-generation injection systems) that elevate them to exemplary levels of performance and consumption, all without sacrificing your driving pleasure.

### **TCe 140** **Flexibility and control**

Discover the comfort and refinement of the new 1.3 TCe 140 GPF engine. As you would expect, the TCe 140 revs smoothly all the way to the redline but what sets it apart is the low rev pulling power. The full 240 Nm is accessible from very low RPM. Meanwhile, fuel consumption and CO<sub>2</sub> emissions are excellent.



### **Blue dCi 115**

The 1.5 Blue dCi 115 is the most economical available in Kadjar and, with AdBlue®, it's cleaner than ever.

For those requiring diesel economy and torque but with more performance, an all-new 1.7 Blue dCi engine will be available soon with 150hp. This powerful engine is available with either 4x2 or 4x4 transmission.

### **TCe 160**

For more performance the TCe GPF 160 engine, offers the highest power output we've ever had in a Kadjar.

### **EDC gearbox** **Comfort, moderate consumption and technology**

This 6-speed automatic dual-clutch gearbox offers smooth, gear changes Dynamic and responsive, the EDC responds almost instantly to the slightest driver input. In terms of economy, its fuel consumption is similar to that of a mechanical gearbox. Available with the Blue dCi 115 engine, the EDC gearbox is ideal for an enjoyable and relaxed drive in all conditions.







## The world at your fingertips

Integrated into the new central console, the R-LINK 2<sup>^</sup> multimedia system's 7" touchscreen is highly ergonomically-designed and intuitive. When connected, R-LINK 2 gives you access to a wide range of services such as TomTom<sup>™</sup> Traffic\* so you get the latest traffic information in real time. With Android Auto<sup>™\*\*</sup> and Apple CarPlay<sup>™\*\*</sup>, easily access your smartphone's driving-compatible apps directly from the R-LINK 2 screen. With the MY Renault<sup>\*\*</sup> application connected to your R-LINK 2, take advantage of smart services wherever you are and at any time (to find where you've parked your Renault Kadjar, for example!). R-LINK 2 optimises the on-board experience and delivers a fluid, simple and customised multimedia experience.

\*For a limited period.

<sup>^</sup>Available from Iconic

\*\* Compatibility: An Android phone running Android 5.0 (Lollipop), an iPhone no earlier than iPhone 5 & iOS 7.1. Connecting a smartphone to access Android Auto<sup>™</sup> and Apple CarPlay<sup>™</sup> should only be done when the vehicle is safely parked. Drivers should only use the system when it is safe to do so and in compliance with the requirements of the law. Drivers should be aware of the potential of hands-free technology to distract a driver's attention from the road, preventing them from having full control of the vehicle.



## Controlled trajectories

To make sure that you have as much control as possible during each and every one of your adventures, 2 cameras, 12 sensors and a radar keep a constant watch on your movements. The speed alert system with traffic sign recognition\* system helps you adapt your driving to road sign data captured by the camera. A visual alert is shown on your dashboard and suggests saving it as the value for the speed limiter.

The lane departure warning<sup>^</sup> will let you know when you have strayed across a continuous or broken line without indicating.

\*Available on GT Line only

<sup>^</sup>Available from Iconic







New Renault KADJAR  
Feel comfortable on any adventure



# Standard features

## PLAY



ATHENA - 17" alloy wheels



Dark Carbon fabric upholstery



### Driving Assistance

- ABS with EBD – Electronic brake distribution and emergency brake assist
- Driver and passenger adaptive front airbags (passenger airbag can be disabled)
- Airbags - curtain front and rear
- Airbags - driver's two stage adaptive airbag
- Airbags - Front lateral
- Automatic headlights
- Cruise control with speed limiter
- Deadlocking and immobiliser
- Eco-Mode
- Electric Parking Brake
- Front fog lamps with cornering function
- Gear Change Indicator
- Hill start assist
- Height adjustable drivers seat
- 3 point rear centre seatbelt
- Electronic immobiliser

- ISOFIX Child seat anchorage points on rear outer seats
- Integrated C Shape Indicators with side repeaters
- Rear parking sensors
- R.A.I.D (Renault Anti Intruder Device) auto closure >6mph
- Seats - height adjustable front seatbelts with double pretensioners
- Side impact protection bars
- Tyre pressure monitor system
- 3 points rear center seatbelt
- Tyre Inflation Kit
- Tyre Pressure Monitor

### Exterior

- 17" alloy wheels – ATHENA
- Body side moulding
- Door handles body coloured
- Door mirrors - body coloured shell
- Windows chrome surround
- LED DRL - Daytime running lights

### Interior

- Back-illuminated central console
- Daylight/nightlight rear-view mirror
- Display - digital speedometer (TFT Screen)
- Heated rear screen
- Sliding front centre armrest
- Windows - tinted rear and tailgate
- 60:40 split folding seats
- Cloth Upholstery – Dark Carbon Fabric

### Comfort and Convenience

- Accessory Power point
- Adjustable dashboard illumination
- Automatic dual zone climate control
- Driver – height adjustable seat
- Electric Front windows
- Electric Rear Windows
- Exterior temperature indicator
- Floor mats – front and rear
- Halogen headlights
- Heated rear windscreen

- Socket front – 12v socket
- Multi-functional trip computer
- Steering wheel – power assisted, height, rake and reach adjustable
- Storage – glove box
- Trip computer and rev counter
- Windscreen wipers – Automatic with variable speed adjustment
- 3 button retractable key

### Connectivity and Sound System\*

- 7" Screen with smartphone integration
- Bluetooth connectivity\*
- FM/ AM/DAB tuner, 4 x20W speakers Bluetooth\*\* audio streaming and hands-free calls, USB and AUX sockets
- Compatible with Apple CarPlay™ & Android Auto™

\*For compatible devices, please refer to <https://www.renault.ie/services/multimedia/bluetooth-compatibility.html>

# Standard features

## ICONIC (additional equipment to Play)



ATHENA - 17" alloy wheels



Black Fabric upholstery



### Driving Assistance

- Automatic High and Low Beam
- Front and rear parking sensors with a rear parking camera
- Lane Departure Warning

### Exterior

- 17" alloy wheels – ATHENA
- Body side mouldings with chrome inserts
- Electric folding automatic and heated door mirrors
- Extra tinted windows
- Roof rails – Chrome look
- Shark fin Antenna

### Interior

- Synthetic Leather and Cloth upholstery
- Passenger height adjustable seat
- Synthetic leather steering wheel

### Comfort and Convenience

- Automatic high/low beam
- Driver sunblind with illuminated mirror and ticket holder
- Driver – height and lumbar adjustable seat
- Door Mirrors - Electrically adjustable, heated and folding
- EasyLife quick folding rear seats
- Keycard - hands-free with walk away lock function
- Rear passenger air vents
- Lane departure warning
- Multi positional boot floor

### Connectivity and Sound System\*

- R-Link 2 multimedia system: 7" touchscreen, TomTom™ LIVE services with Western European Mapping, FM/AM/DAB tuner, Bluetooth\*\* audio streaming and hands-free calls, USB and AUX sockets, voice control, vehicle applications
- Two rear USB sockets
- 4x35W speakers with 3D sound

\*For compatible devices, please refer to <https://www.renault.ie/services/multimedia/bluetooth-compatibility.html>



# Standard features

## S EDITION (additional equipment to Iconic)



EVADO - 17" alloy wheels



Black fabric upholstery with blue top-stitching



### Driving Assistance

- LED high & low beam headlights with LED turn indicators
- LED Fog lamps with cornering function

### Exterior

- 17" alloy wheels - EVADO
- Chrome finish fog light surrounds
- Fixed glass panoramic sunroof
- Saturn Grey front and rear skid plates
- Side and boot kick plates

### Interior

- Dark Blue 3D TEP fabric with synthetic leather upholstery with Blue top-stitching
- Auto-dimming rear-view mirror

### Connectivity and Sound System\*

- R-Link 2 multimedia system: 7" touchscreen, TomTom™ LIVE services with Western European Mapping, FM/AM/DAB tuner, Bluetooth®\* audio streaming and hands-free calls, USB and AUX sockets, voice control, vehicle applications
- Two rear USB sockets
- 4x35W speakers with 3D sound

\*For compatible devices, please refer to <https://www.renault.ie/services/multimedia/bluetooth-compatibility.html>

# Standard features

## GT LINE (additional equipment to S Edition)



POSEIDON - 19"



Dark leather upholstery



### Driving Assistance

- AEBS – Active Emergency Braking
- Blind spot warning with lateral sensors
- Over speed and traffic sign recognition
- Flank Protection

### Exterior

- 19" Diamond cut 'POSEIDON' alloy wheels
- Front Grille with chrome enrichment
- Adamantium front & rear skid plates

### Interior

- Carbon Black Leather Upholstery with synthetic leather head rest
- Leather steering wheel

### Comfort and Convenience

- Hands Free Parking
- Heated front seats and electrically adjustable driver's seat (fore/aft, height and recline)
- Driver and passenger cushion length extender

### Connectivity and Sound System

- BOSE™ energy efficient sound system: 7 speakers with a digital amplifier + 1 Subwoofer

\*For compatible devices, please refer to <https://www.renault.ie/services/multimedia/bluetooth-compatibility.html>



# Colours

Iron Blue (3) (RQH)



Oural green (3) (DPY)



Pearl White (3) (QNC)



Highland Grey (2) (KQA)



Flame Red (3) (NNP)



Cosmos Blue (2) (RPR)



Titanium Grey (2) (KPN)



Pearl Black (2) (GNE)



Glacier White (1) (369)



(1) Standard non metallic paint (2) Optional metallic paint (3) Optional Renault i.d. metallic paint

Every effort has been made to ensure that the information, descriptions, and images were correct at the time of publication however images may not always reflect the exact version selected. It should be noted that limitations on screen do not permit the subtle paintwork shades on this page to be shown with absolute accuracy.



# Equipment and options

	Play	Iconic	S Edition	GT Line
<b>DRIVING ASSISTANCE</b>				
Driver and passenger adaptive front airbags (passenger airbag can be disabled)	●	●	●	●
ABS with Emergency Emergency Brake Assist	●	●	●	●
AEBS - Active Emergency Braking System	-	-	-	●
Airbags - curtain front and rear	●	●	●	●
Airbags - driver's two stage adaptive airbag	●	●	●	●
Airbags - deactivation of front passenger (for use with child seats)	●	●	●	●
Airbags - Front lateral	●	●	●	●
Airbag - front passenger's two stage adaptive airbag	●	●	●	●
Intergrated C Shape Indictaors with side repeaters	●	●	●	●
Automatic headlights and wipers	●	●	●	●
Automatic High and Low Beam	-	●	●	●
Cruise control with speed limiter	●	●	●	●
ESP (Electronic Stability Programme) with ASR (Anti-Skid Regulation) and UCL (Understeer Logic Control)	●	●	●	●
Lane Departure Warning	-	-	●	●
Speed alert with traffic sign recognition	-	-	-	●
Blindspot Warning	-	-	-	●
LED Front fog lights with corner function	-	-	-	●
Front fog lights with corner function	●	●	-	-
Rear LED fog lights	●	●	-	●
Halogen headlights	●	●	-	-
Full LED headlights	-	-	●	●
Power Assisted Steering	●	●	●	●
Rear Parking Sensors	●	-	-	-
Front and rear parking sensors	-	●	●	●
Rear parking camera (incl. Front and rear sensors)	-	●	●	●
Height adjustable drivers seat belt	●	●	●	●
3 points rear center seatbelt	●	●	●	●
Protetctive rear brake disc	●	●	●	●
Seats - height adjustable front seatbelts with double pretensioners	●	●	●	●
ISOFIX Child seat anchorage points on rear outer seats	●	●	●	●
Side impact protection bars	●	●	●	●
Tyre Inflation Kit	●	●	●	●
Tyre Pressure Monitor	●	●	●	●
Flank protection	-	-	-	●
R.A.I.D (Renault Anti Intruder Device) auto closure >6mph	●	●	●	●
Deadlocking and immobilisher	●	●	●	●
Electronic immobiliser	●	●	●	●
Eco-Mode	●	●	●	●
LED DRL - Daytime running lights	●	●	●	●
Hill start assist	●	●	●	●
Gear Change Indicator	●	●	●	●
Electric Parking Brake	●	●	●	●
<b>EXTERIOR FEATURES</b>				
17" alloy wheels - ATHENA	●	●	-	-
17" alloy wheels - EVADO	-	-	●	-
19" alloy wheels - POSEIDON	-	-	-	●
Puddle Lamp	-	-	-	●
Roof rails	-	●	●	●
Fixed panoramic sunroof	-	-	-	●
Electric door mirrors manual folding - heated	●	-	-	-
Door Mirrors - Electrically adjustable, heated and folding	-	●	●	●
Door handles body coloured	●	●	●	●
Door mirrors - body coloured shell	●	●	●	●
Body side moulding	●	-	-	-
Body sided mouldings with chrome inserts	-	●	●	●
Satin grey front and rear skid plates	-	-	-	-
Adamantium grey front and rear skid plates	-	-	-	●
Front fog lights chrome surround	-	-	●	●
Chrome inserts on front grille	-	-	-	●
Windows chrome surround	●	●	●	●
Side and boot kick plates	-	-	-	●
<b>INTERIOR DESIGN</b>				
<b>WINDOWS</b>				
Heated rear screen	●	●	●	●
Electric Front windows	●	●	●	●
Electric Rear Windows	●	●	●	●
Windows - tinted rear and tailgate	●	-	-	-
Windows- Extra Tinted rear and tailgate	-	●	●	●

	Play	Iconic	S Edition	GT Line
<b>SEATING</b>				
Cloth Upholstery - Dark Carbon fabric	●	-	-	-
Synthetic Leather and Cloth upholstery	-	●	-	-
Dark Blue 3D TEP fabric with synthetic leather upholstery with Blue top-stitching	-	-	●	-
Carbon Black Leather Upholstery with synthetic leather head rest	-	-	-	●
Driver - height adjustable seat	●	●	●	●
Driver - height adjustable seat with lumbar support	-	●	●	●
Passenger height adjustable	-	●	●	●
Driver and passenger cushion length extender	-	-	-	●
Fully adjustable front headrests	●	●	●	●
Height adjustable front seat belts	●	●	●	●
Heated front seats and electrically adjustable driver's seat (fore/aft, height and recline)	-	-	-	●
3-point inertia reel seatbelts	●	●	●	●
3-seat rear bench	●	●	●	●
60:40 split folding seats	●	●	●	●
3 height adjustable rear head restraints	●	●	●	●
<b>STORAGE</b>				
Sliding front centre armrest	●	●	●	●
Central rear armrest with cup holders	-	●	●	●
Multi position boot floor	-	●	●	●
EasyLife quick folding rear seats	-	●	●	●
<b>DASHBOARD</b>				
Multi functional trip computer	●	●	●	●
Rev-counter	●	●	●	●
Display - digital speedometer (TFT Screen)	●	●	●	●
Adjustable dashbaord illumination	●	●	●	●
Low fuel level warning light	●	●	●	●
Oil level guage	●	●	●	●
Exterior Temperature gauge	●	●	●	●
Rear seat belt undone audible alert	-	●	●	●
Driver and passenger seat belt undone - warning audible alert	●	●	●	●
Door/boot open - warning light	●	●	●	●
Daylight/nightlight rearview mirror	●	●	-	-
Auto-dimming Rear View Mirror	-	-	●	●
<b>OPENINGS</b>				
Keycard - handsfree with walk away lock function	-	●	●	●
3 button retractable key	●	-	-	-
<b>HEATING AND VENTILATION</b>				
Air recirculation facility	●	●	●	●
Pollen filter	●	●	●	●
Automatic dual zone climate control	●	●	●	●
Heated rear windscreen	●	●	●	●
Rear passenger airvents	-	●	●	●
<b>INTERIOR LIGHTING</b>				
Interior Courtesy light controlled by all 4 doors	●	●	●	●
Driver and passenger reading lights	●	●	●	●
Rear courtesy lights	●	●	●	●
Illuminated luggage compartment (on opening of boot)	●	●	●	●
Back-illuminated central console	●	●	●	●
<b>COMFORT</b>				
Accessory Power point	●	●	●	●
Two rear USB sockets	-	●	●	●
Synthetic leather steering wheel	-	●	●	-
Leather steering wheel	-	-	-	●
Floor Mats Front and Rear	●	●	●	●
Hands Free Parking	-	-	-	●
Steering wheel - rake and reach adjustable	●	●	●	●
Sun visor with mirror without light	●	-	-	-
Sun visor with mirror with light	-	●	●	●
<b>IN CAR ENTERTAINMENT^</b>				
Fingertip audio system remote control	●	●	●	●
FM/AM/DAB tuner, 4 x20W speakers Bluetooth® audio streaming and hands-free calls, USB and AUX sockets	●	-	-	-
7" touchscreen with Smartphone intergration compatible with AppleCar play™ and Android Auto™	●	●	●	●
4 x 35W speakers with 3D sound	-	●	●	-
BOSE™ energy efficient sound system: 7 speakers with a digital amplifier + 1 Subwoofer	-	-	-	●
R-Link 2 multimedia system: 7" touchscreen, TomTom® LIVE services with Western European Mapping, FM/AM/DAB tuner, Bluetooth® audio streaming and hands-free calls, USB and AUX sockets, voice control, vehicle applications	-	●	●	●

● = Standard; ○ = Optional; - = Not available. ^Compatibility: An Android phone running Android 5.0 (Lollipop), an iPhone no earlier than iPhone 5 & iOS7.1. Connecting a smartphone to access Android Auto™ and Apple CarPlay™ should only be done when the vehicle is safely parked. Drivers should only use the system when it is safe to do so and in compliance with the requirements of the law. Drivers should be aware of the potential of hands-free technology to distract a driver's attention from the road, preventing them from having fullcontrol of the vehicle



# Key information

For prices, please refer to the Renault Car Price Guide available at your local dealer and on [www.renault.ie](http://www.renault.ie)

VERSIONS	CO <sub>2</sub> Emission (g/km) Combined WLTP	Fuel Consumption (l/100km) Combined WLTP	CO <sub>2</sub> Band	HP
Play TCe 140 GPF	144	6.4	B2	140
Play TCe 140 GPF EDC	147	6.5	B2	140
Play Blue dCi 115	131	4.7	A4	115
Play Blue dCi 115 EDC	128	4.9	A4	115
Iconic TCe 140 GPF	149	6.6	B2	140
Iconic TCe 140 GPF EDC	152	6.7	B2	140
Iconic Blue dCi 115	135	4.9	A4	115
Iconic Blue dCi 115 EDC	133	5.1	A4	115
S Edition TCe 140 GPF	149	6.6	B2	140
S Edition TCe 140 GPF EDC	153	6.8	B2	140
S Edition Blue dCi 115	136	5	A4	115
S Edition Blue dCi 115 EDC	134	5.1	A4	115
GT Line TCe 140 GPF	150	6.6	B2	140
GT Line TCe 140 GPF EDC	154	6.8	B2	140
GT Line TCe 160 GPF	150	6.6	B2	160
GT Line Blue dCi 115	137	5	A4	115
GT Line Blue dCi 115 EDC	135	5.1	A4	115
GT Line Blue dCi 150	TBC	TBC	B1	150
GT Line Blue dCi 150 4WD	TBC	TBC	B1	150

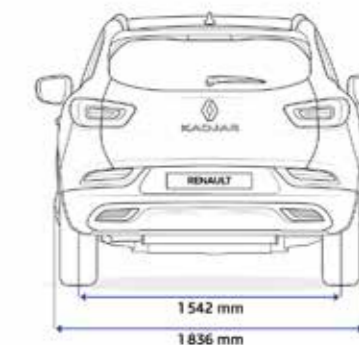
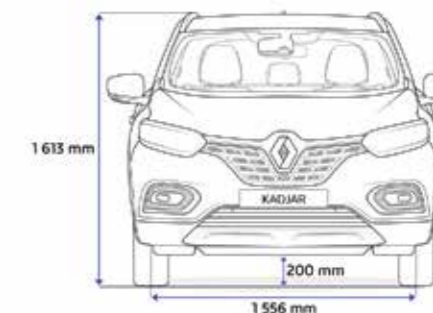
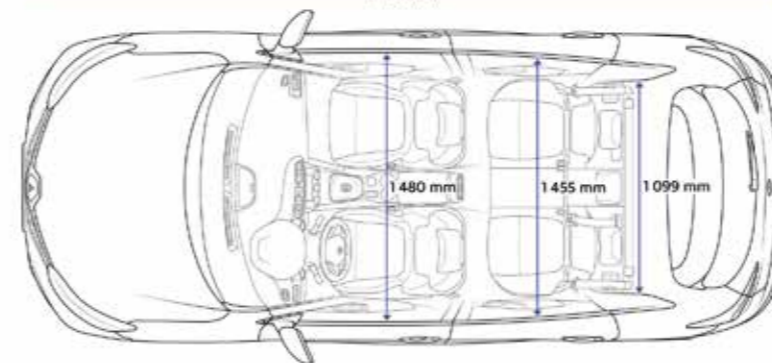
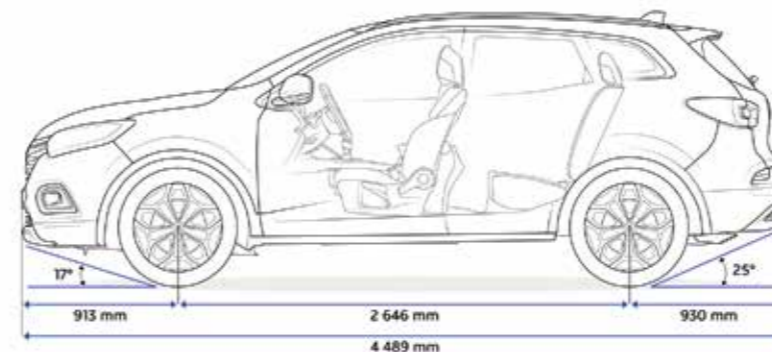
\*WLTP figures shown are for comparability purposes; only compare figures with vehicles tested to the same technical procedures. Actual real world driving results may vary depending on factors such as weather conditions, driving styles, vehicle load or any accessories fitted after registration. WLTP is a new test used for fuel consumption and CO<sub>2</sub> figures however for the vehicle tax calculation on first registration is still based on the outgoing (NEDC) test cycle. The CO<sub>2</sub> figures NEDC back translated are available at your local dealer. WLTP emissions and consumption values shown are for a standard vehicle with no options. Most Renault cars are fitted with an optional spare wheel at no extra cost, which will typically increase the WLTP CO<sub>2</sub> emissions by 1 g/km. Your dealer will be able to confirm the CO<sub>2</sub> emissions of your selected car with its specified options.

## OPTIONS

	Play	Iconic	S Edition	GT Line
Metallic paint (i.d paint includes arctic white, iron blue and flame red)	○	○	○	○
Light Grey Leather Upholstery with synthetic leather rear headrest	-	-	-	○
Emergency Space Saver Spare Wheel	○	○	○	○

●= Standard (therefore no cost); ○= Optional; - = Not available

# Dimension diagrams



## BOOT VOLUME

With inflation kit (VDA volume, dm <sup>3</sup> )	472
With inflation kit (volume in litres)	527
Max. loading volume seats folded down (VDA volume, dm <sup>3</sup> )	1,478

## DIMENSIONED DRAWING (mm)

<b>A</b> Wheelbase	2,646
<b>B</b> Overall length	4,449
<b>C</b> Front overhang	897
<b>D</b> Rear overhang	906
<b>E</b> Front track	1,556
<b>F</b> Rear track	1,542
<b>G</b> Overall width with/without door mirrors	1,836 / 2,058
<b>H</b> Unladen height/with longitudinal roof bars	1,607/1,613
<b>H1</b> Height with tailgate open (unladen)	2,069
<b>J</b> Unladen boot sill height	761

<b>K</b> Ground clearance	200
<b>L</b> Knee room in 2 <sup>nd</sup> row	220
<b>M</b> Front elbow width	1,480
<b>M1</b> Rear elbow width	1,455
<b>P</b> Headroom at 14° in 1 <sup>st</sup> row (front seats)	905
<b>P1</b> Headroom at 14° in 2 <sup>nd</sup> row (rear seats)	910
<b>Y</b> Interior width between wheel arches	1,099
<b>Z</b> Max. loading length bench seat folded up/down	864/1,620
<b>R/R1</b> Angles of front/rear bumpers in degrees	18/28



# Technical Specification

ENGINE	TCe 140	TCe 160	TCe 140 Auto EDC	Blue dCi 115	Blue dCi 115 Auto EDC
Engine type	HR13	HR13	HR13	K9K	K9K
Emissions conformance	Euro 6 Dtemp	Euro 6 Dtemp	Euro 6 Dtemp	Euro 6 Dtemp	Euro 6 Dtemp
With Particulate Filter (FAP)	GPF (Gasoline particulate filter)	GPF (Gasoline particulate filter)	GPF (Gasoline particulate filter)	DOC + SCRF	DOC + SCRF
Induction Capacity (cc)	1332	1332	1332	1461	1461
Bore x Stroke	72.2 x 81.4	72.2 x 81.4	72.2 x 81.4	76 x 80.5	76 x 80.5
Maximum power - kw ISO	103 kW	117 kW	103 kW	85 kW	85 kW
Maximum Power - hp DIN	140	160	140	115	115
Maximum power - rpm	5000	5500	5000	3750	3750
Maximum Torque - Nm ISO	240	260	240	260	260
Maximum Torque (rpm)	1600	1750	1600	2000	2000
Fuel Type	Petrol	Petrol	Petrol	Diesel	Diesel
Injection type	Direct Injection	Direct Injection	Direct Injection	Common Rail	Common Rail
No. of Cylinders	4	4	4	4	4
No. of Valves	16	16	16	8	8
<b>PERFORMANCE</b>					
0- 62 mph - secs (0-100 km/h)	10.4	9.9	9.6	11.7	11.5
Maximum Speed mph (km/h)	126 (203)	130 (210)	126 (203)	117 (189)	117 (189)
Standing 1000m in seconds	30.9	29.6	30.8	33.5	33.4
<b>FUEL CONSUMPTION* AND EMISSIONS (IN L/100KM AND G/KM)</b>					
CO <sub>2</sub> (g/km) (High - Low)	144 - 150	150	147 - 154	131 - 137	128 - 135
Combined - l/100 km (High - Low)	6.7 - 6.4	6.7 - 6.4	6.8 - 6.5	5.1 - 4.7	5.2 - 4.9
<b>GEARBOX</b>					
Number of forward gears	6	6	7	6	6
Manual / Automatic	M	M	A	M	A
<b>BRAKING SYSTEM</b>					
Type of braking system	Discs	Discs	Discs	Discs	Discs
ABS	Standard	Standard	Standard	Standard	Standard
EBD	Standard	Standard	Standard	Standard	Standard
Front Ø (mm) / width (mm)	296 / 26	296 / 26	296 / 26	296 / 26	296 / 26
Rear Ø (mm) / width (mm)	290 / 13	290 / 13	290 / 13	290 / 13	290 / 13
<b>SUSPENSION</b>					
Front	Pseudo Mac Pherson with lower triangle				
Rear	Torsion Beam				
<b>STEERING</b>					
Power assisted	Electric with variable assistance				
Turning circle between kerbs (m)	10.72m	10.72m	10.72m	10.72m	10.72m
<b>WHEELS / TYRES</b>					
Standard Wheel Size in inches	17 / 19	17/19	17/19	17 / 19	17 / 19
Spare wheel					
<b>FUEL TANK CAPACITY</b>					
Fuel tank capacity - Litres (Gallons)	55 (12.1)	55 (12.1)	55 (12.1)	55 (12.1)	N/A
<b>WEIGHT</b>					
Kerb Weight	1333	1333	1362	1428	1443
Gross Vehicle Weight	1889	1889	1918	1978	1994
Maximum Gross Train Weight	3389	3389	3418	3328	3344
Payload	2864	2864	2864	2864	2864
<b>TOWING CAPACITY</b>					
Max (Driver only) Towing weight = braked	1500	1500	1500	1350	1350
Max (Driver only) Towing weight = unbraked (17" / 19")	700	700	715	750	750
Maximum load weight on roof	72	72	72	72	72
<b>SERVICING INTERVALS</b>					
Service intervals	20,000 km or 1 year whichever is the sooner				

\*WLTP figures shown are for comparability purposes; only compare figures with vehicles tested to the same technical procedures. Actual real world driving results may vary depending on factors such as weather conditions, driving styles, vehicle load or any accessories fitted after registration. WLTP is a new test used for fuel consumption and CO<sub>2</sub> figures however for the vehicle tax calculation is still based on the outgoing (NEDC) test cycle. The NEDC back translated CO<sub>2</sub> figures are available at your local dealer. WLTP emissions and consumption values shown are for a standard vehicle with no options. Most Renault cars are fitted with an optional spare wheel at no extra cost, which will typically increase the WLTP CO<sub>2</sub> emissions by 1 g/km. Your dealer will be able to confirm the CO<sub>2</sub> emissions of your selected car with its specified options.

# Renault Services

**RENAULT BANK**

We Bank. You Drive.

Renault Bank, choose the finance solution that best suits your needs.

At Renault Bank, we pride ourselves on being:

- **Flexible.** We have flexible payment plans. We can tailor the term, the deposit or the repayment to meet your needs.
- **Competitive.** We offer competitive rates and attractive financial packages you will not find anywhere else.
- **Simple.** We provide an easy application process, quick decision and minimum paperwork, all at your Local Dealer.
- **Creditable.** We are part of one of Europe's largest motor finance companies and offers financial services to millions of customers everyday.

Renault Bank is a trading name of RCI Banque Branch Ireland, a wholly owned subsidiary of the Renault Group. RCI Banque is regulated by the French banking authority and is supervised by the Central Bank of Ireland for conduct of business purposes.

## Renault Warranty

New Kadjar comes with a 5 year / 200,000km Renault manufacturer warranty.

For further details please visit

[www.renault.ie/services/renault-warranty](http://www.renault.ie/services/renault-warranty)



\*5 year / 200,000 km Renault manufacturer warranty.

